

September 2018-The First Word



**God's work.
Our hands.**

September 9 – Rally Day

“God’s Work, Our Hands” is an opportunity to celebrate who we are as a community of faith – one church, freed in Christ to serve and love our neighbor. On Sunday, September 9th, all are invited to live into that promise! This is an exciting way to join with other churches in the area in a shared ministry and celebration.

Here’s how it will work –

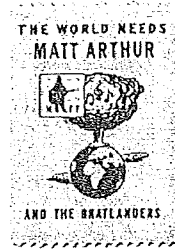
First - Gather food items at the church. Next time you are at the store, fill up a bag and bring it First Lutheran by September 9. Suggested items include

- Canned tuna, chicken or salmon
- Peanut butter· Meals in a can (soup, stew, chili)· Low-sodium canned vegetables
- Canned fruit in its own juice or water
- Olive or canola oil
- Spices (cinnamon, chili powder, cumin, salt-free spice blends)
- Canned foods with pop-top lids
- Low-sugar whole grain cereals
- Healthy snacks (granola bars, nuts, dried fruit)
- Toiletry items such as toilet paper, paper towels, or toothpaste.

Please avoid items packed in glass. No candy or sugar-sweetened drinks.

Second – Celebrate – All the food items gathered from local churches will be brought together and blessed at a celebratory worship service with communion and gospel music provided by the **Bratlanders at 3:00 PM in the Holden Park** (next to Holden Lutheran)

Third – The gathered items will be brought to Kenyon food shelf.



The Bratlanders

Here to play for us in worship and concert –
Sunday, Sept 9 at 3:00
Holden Park at God’s
Work, Our Hands
Community Event

Matt Arthur is a Southern Minnesota blind man with a voice that calls to mind Johnny Cash, Leonard Cohen, and Nick Cave. The Bratlanders bring a time-worn authenticity to their rootsy sound — a Weird Old American blend of rustic folk, old-time blues, early country-western, and bombastic rock & roll. Matt Arthur & The Bratlanders wear their influences [Cash, Hank, Stones, Dylan, Gram, Leadbelly] proudly, but what they make of that inspiration is entirely their own creation.

Fall Festival



Generosity

When you think about the Fall Festival do you think about stewardship or generosity. It really is a time for us to celebrate and re-imagine our life together as people of God. Where do you find yourself most generous?

Sunday, October 7, 2018



*“Let the
little children
come to me”*

MATTHEW 18:14

Please join us for Sunday
School beginning September
9th at 10 a.m.



**Confirmation Details
You need to know:**

Orientation: 7th, - 9th
Grade Students and

Parents is Wednesday, September 12th
at 6:30 pm

Classes begin: Wednesday,
September 19th at 6:30 pm following
worship at 6:00 pm. Sunday morning or
Wednesday evening is a confirmation
expectation.

MORE details explained fully at
orientation.



Confirmation Sunday for 10th Graders
Confirmation is Sunday, October 28th at
9:00 am.

But Before That.....

**Turn in your project by the first
Sunday in October.**

We will meet one-on-one after the
Confirmation Retreat on October 13
from 4 – 7pm.

First Lutheran Ditch Cleaning



Wednesday, September
3rd
At 6:00
Pizza for all at 7:00
Confirmation Youth and
Service Night too!

Weddings in September

*Kristin Boyum & Bill Samuelson
Kyle Quaale and Laura Toombs
Cole Tousignant & Carly Roberts*
Congratulations!



Bibles for Pre-School and Third Graders

Sunday, September 16th at 9:00

And Special Guests

Missionary Family – Bencke from Japan

At the end of each year the FLCW disburses funds to various charitable organizations, both locally and those sponsored by the ELCA. We are again asking for donations in the hope that you will find it in your heart to contribute as generously as you have in the past so that the many organizations we donate to can continue to benefit from our gifts. They can be left at the church office, put in the offering late labeled FLCW or bring along to the Wedding Extravaganza.



Intern Sara Martin

Hi Kenyon Area Parish, I am Sara Martin and I will be your next intern. I am studying at Luther Seminary, but moved from Fresno, California where my family and two dogs live. I was baptized, confirmed, and realized my call to ministry at Hope Lutheran in Fresno. Since then I have had a lot of different church experiences as I have served on different staffs. I am most excited about learning what ministry in a different context is like. I come from a big city and have only lived in big cities so living in a smaller community will be a nice change of pace for me. In my free time I like to play golf (although I haven't in a while), watch golf and soccer, read, and knit. In the last year, I was able to get onto book launch teams to read and promote books before they are out in stores. Doing so has been a lot of fun for me and I've read a lot of authors that I wouldn't have otherwise picked up. If I had to eat only one food the rest of my life it'd be a toss up between tacos or pizza. They both have their advantages. I'd love to share more about my life including my call story, a joke, or what my latest knitting project is, so ask me about it. Let's schedule a time to meet up and have coffee or tea and get to know each other! I'm looking forward to meeting each and every one of you in the next few months!

SENIOR CHOIR has scheduled its first rehearsal of the year for Wednesday, September 5th at 7 p.m. and will sing for the first time at Sunday worship on Rally Sunday, September 9th. The choir practices most Wednesdays and sings 3 to 4 Sundays each month, plus special occasions. We sing a variety of music styles and welcome high school through adult singers. Please come sing with us—whether you have participated before or plan to try choir for the first time. We appreciate our singers and you are always welcome! Director: Carol Lozon, Accompanist: Annette Thunhorst.

Save the Date!

A First Lutheran Wedding Extravaganza

Sunday, September 30th @ 4:30 p.m.

You will be able to enjoy a style show of wedding attire as well as displays of dresses, pictures and other wedding memorabilia. A simple meal will also be served after the style show. If you have anything

"wedding" that you are willing to share, please contact, Tammy at tammyfletcher@hotmail.com, candyherrlich@gmail.com

or coraleemonroe@gmail.com

Free admission.



First Evangelical Lutheran Church Council

6:30 pm, August 15th, 2018

These minutes are from the most recent Council Meeting and have not been approved by the Council at this time.

Council Members present: Pat Schreiber, Bill Lewis, Pastor Julie, Sue Wold, Chelsea Gilster, Amy Lee, Cora Lee Monroe, Wayne Spidahl, Don Herrlich

Welcome & Call to Order: Pat Schreiber

Devotions: Pastor Julie Rogness

Adopt Agenda: Motion to approve as corrected, Don; Second Sue; carried.

Secretary's Report: Motion to accept report, Bill; Second Amy, Carried.

Treasurer's Report: Checking account balance as of 08-11-18: \$4,542.41.

Loan at the bank for tuck point amount due as of 08-15-18: \$11,500.00

Motion to accept report, Wayne; Second Chelsea; Carried.

Pastor's Report:

Weekly worship planning with Annette. Continuing work on blended services all but the first Sunday of the month. Attended weekly text study, Committee Meetings, Roundtable with Intern, Internship Meeting, Ed Youth Meeting. VBS at Holden – 12 youth and several adults from our church involved and 9 youth involved in Kick-ball at Holden Park. KW collaboration with grade school and church/community leaders - Fair Kick on at Holden Park on September 4th. 21 visits (hospital, communion and other). Premarital work continuing with 6 couples. KW Pastors met August 16th re: collaboration. Provides clergy coaching. Working with Jim Braaten on new website. Costs involved on purchasing a theme and domain address. Looking Forward: Adult Learning – Brian Greseth, Bill and Cindy Lewis, more to come. Will be attending niece's wedding August 18th. Pastor Craig Breimhorst will be at First that Sunday. Rally Sunday September 9th. Sunday School new time is 10:00 am to 11:00 am. Confirmation Retreat for 10th graders **October 13th**. **Confirmation Sunday is October 28th**. Will be on vacation in New York to visit Jenna week of October 14th – 22nd.

Committee Reports:

Worship/Evangelism: Sara Martin, the new intern, will be moving to Kenyon on August 27th.

Could use volunteers to help her move. She will be preaching on September 2nd.

Rally Sunday is on **September 9th**. We will recognize "volunteering" on Rally Sunday.

Bev Emerson is the new Sunday School Superintendent.

Carol Lozon will assist Pastor Julie in organizing "friendly visits" by lay people.

Communion every Sunday is in place. Will coordinate the scheduling of communion helpers, readers, greeters and coffee hour servers - when possible. Need 3 communion helpers each Sunday.

Fall Festival is on **Sunday, October 7th**. It will be held at First Lutheran and Pastor Julie will provide the message. It will include a Silent Auction and Brunch.

FLCW: Total balance is **\$1,316.35**. Wedding Extravaganza is on **September 30th at 4:30 pm**. Seeking music and young ladies willing to model the dresses. Tim Bowman was given the gift of a flannel quilt upon his departure. The Thank Offering for 2016 and 2017 was not accounted for at the Synod level. Sending copies of cancelled checks/Synod form used for donation to the Synod office.

Rally Sunday is **September 9th**. Please wear **yellow**. Will collect donated school supplies & food shelf items for the Food Shelf - to be blessed that afternoon at 3:00 pm at Holden Church. The Beneke Family, serving as Missionaries in Japan, will be here **September 16th** to share their story.

Sunday, September 16th is also Cradle Roll. Third graders and PK will receive their Bibles from Carmen.

Fall Festival is **October 7th** at the church.

Reformation Sunday and Confirmation is on **October 28th**. Cora Lee and Cindy will make the sashes.

Lefse making is tentatively set for **November 9th – 10th**.

Thank Offering service is in November. Annette Thunhorst will assist with this service.

There is gifted money for items in the chapel. FLCW Committee is discussing new paraments w/Pastor Julie.

Marilyn Schaper has donated 2 large coffee pots to the church.

Property and Management: New carpet being installed in the Sunday School office.

Stewardship: Benke family – Missionaries to Japan will be at First Lutheran on Sunday, **September 16th** during the church service. Will be paid for their expenses (\$375.00).

Information on Stephen Deal and Karen Anderson is on the bulletin board.

Fall Festival on **Sunday, October 7th** at the church. Marlene Gustafson is taking care of the brunch menu.

Candy will make rolls. Will collect Time and Talent Sheets at the festival. (Please give thought to activities you are interested in getting involved in.) Tuck point loan in at **\$11,500.00** as of 08-15-18.

Youth Rep: Chelsea Gilster reported fall school activities have started. She will find area youth to provide music for the FLCW Wedding Extravaganza/Fall Festival.

Ed Youth: Bev Emerson accepted position of Sunday School Superintendent. Rally Sunday is on **September 9th**. Sunday School will be from 10:00 am to 11:00 am. **NOTE TIME CHANGE FROM PREVIOUS YEARS.**

Could use 1-2 more teachers. Need a volunteer to handle music for Sunday School. Cradle Roll is **September 16th**. 3rd Grade and PK get bibles at the church service. Ditch cleaning event on **Wednesday, October 3rd** from 6 pm to 7 pm, with pizza afterward. VBS at Holden – 12 youth and several adults involved. Amy puts activities/photos on Facebook.

Kenyon-Nerstrand- Wanamingo Youth: 9 youth from First Lutheran attended Kick-ball event at Holden Park on August 12th. VBS at Holden – 12 youth and several adults involved.

Kenyon Area Intern Committee: Sara Martin is the new area Intern.

Personnel Committee: No report.

Next Meeting Date: September 19th at 8:00 pm

Devotions: Pastor Julie Rogness

Adjournment: Motion to adjourn, Don; Second, Sue; Carried.

Closing Prayer: The Lord's Prayer

Sue Wold, Church Council Secretary

SILENT AUCTION CERTIFICATE
My talents/abilities I'm willing to share

Name _____

Item or service to be auctioned: _____

Description of item (be specific, hours of service, time line for completion of auction item)

Minimum bid suggested: _____

**Items for the Silent Auction should be 1) New 2) Unusual 3) Handcrafted 4) Services*

SILENT AUCTION ITEMS:(suggestions only) hair cuts, professional services, making/selling crafts, shoveling snow, cake decorating, oil change/car repair, car services/rides, groceries, yard work, babysitting, child care, sewing, needlepoint, typing, secretarial, Christmas/holiday baking, planning/giving dinners or parties, cleaning houses or garages, making meals, painting, construction, etc,

FLCW board met on Tuesday August 7, 2018 at 7pm. Secretary's report was read and placed on file. Treasurer's report reviewed with one correction. The total balance is now \$1,316.35. Correspondence was received from Good Earth Village in regards to their Gala Event, information can be viewed online. Candy Herrlich reviewed the Council minutes.

Old Business: Discussed the upcoming Wedding Extravaganza to be held on 9-30-18 at 4:30 pm. Tammy has a list of people with wedding dresses to share. She will now contact these people to confirm. Discussed music and who in our church might play an instrument during the event. Will try to contact some youth girls to model some of the dresses. For food will serve wedding salad, Jill Berg has the recipe, and a croissant and wedding cake, Candy will make. Also discussed getting a wedding picture from people that are sharing their dress and some background about the wedding, and other past wedding decorations like pew bows and cake toppers. For advertisement will send a post card with our annual financial drive information and the information about the extravaganza. Tim Bowman gift of a flannel quilt was given upon his departure.

New Business: The Thank Offering for 2016 and 2017 was not accounted for at the Synod level. Copies were made of the cancelled checks and the Synod form that was sent with them. This will be sent to the Synod office. Rally Sunday is 9-9-18. Parishioners are asked to wear yellow and donate school supplies and food shelf items for the Food Shelf to be blessed on Sunday afternoon at 3:00 at Holden Church. It was proposed to donate \$50 of school supplies for this, Jill Berg has volunteered to do the shopping for this. This would appear in our December disbursements. This year's Sunday school time will be 10:00- 11:00. Sunday 9-16-18 the Beneke Family, a missionary family serving Japan will be here to share their story. Sunday 9-16-18 is Cradle Roll and Third graders will receive their bibles. Carmen will do this.

Upcoming Events: Fall Festival 10-14-18 at the church. Reformation Sunday and Confirmation on 10-28-18. Cora Lee and Cindy will make the confirmation sashes. Lefse making is tentatively set for November 9-10. Thank Offering service in Nov. Annette Thunhorst does help with this. Changes to the FLCW booklet, to be made this fall. Altar Care- There is gifted money to go towards items in the chapel. Wanting to discuss new paraments and with Pastor Julie and the committee. There have been 2 large coffee pots donated to the church from Marilyn Schaper.

Next meeting is Tue 9-4-18 at 7:00 pm.

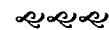
Submitted by Cindy Lewis

Ladies Clubs & Bible Study News

*Morning Circle Bible Study
First Tuesday of the month in the
Joy Room. Everyone is welcome!
September 4th meet at 9:30 a.m.

June-August 2018,

A three-part study on prayer written by Anna Madsen will be our summer topic. Anna Madsen is a freelance theologian and proud mama to daughter, Else, and son, Karl. She works with OMG: Center for Theological Conversation.



The Monthly Bible Study is found

in the "Gather" magazine.

To order this magazine through the
order center at Cambey & West
call 844-409-0576 (toll free)

or 845-267-3074

Gather Subscription Center PO Box 336

Congers NY 10920-0336

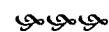
gather@cambeywest.com



*Christian Mission

Thurs., September 13th, 1 p.m.

Thurs., September 27th, 1 p.m.



*Priscilla Club

Tues., September 11th, 1 p.m.

Is the hostess

Tues., September 25th, 1 p.m.

Is the hostess

Lyn's Line or So....

Now that the primaries are over I would like to begin with a quote by the late Paul Wellstone.

"We all do better...when we all do better."

Back to school, back to writing. Its only appropriate to choose a semi retired teacher. Sue and I have a history, although she was in my sister Wendy's class, we were cheerleaders together. And our "15" minutes of fame was the fall of 1975 when the past homecoming queen crowns the new queen. It was much to my pleasure that would have been Sue. Without further ado...

Sue Hanson Fogelson 1958

Born: Caledonia, MN

Baptized: Immanuel Lutheran Church in Caledonia

Confirmed: First Lutheran Church by Pastor Richard Hanson

Parents/Siblings: Pastor Richard and Evelyn Hanson. Two retired brothers Bruce and Jim, younger sister Carole has a doggie daycare in Minneapolis.

Growing Up: The parsonage next to First Lutheran. Dad was always next door as was mom usually, being the minister's wife was like a job. She was very active in many goings on at church. It was a nice childhood. Dad passed away in 1989 at 68 years old and mom in 2005 at he age of 84. Both are buried at the Kenyon Cemetery.

Graduation: My parents moved to Albert Lea my senior year. I lived the rest of the year with Sue Ann and Virgil Helgeson and graduated from Kenyon in 1976.

College: Graduated from Luther College in Decorah, IA in 1980. Masters in Education from U of M in 2006.

Marriage: I married my high school sweetheart in 1980 at my dad's church in Albert Lea. Husband Jay's mom and dad are Harold & Sandra. His older brother Craig passed away. Younger sister Julie Burow-Hanson (no relation to me) has a beauty shop here in Kenyon on main street. Jay farmed until 1994 and has been a partner/owner of Kenyon Excavating since then.

Our Girls: Jill graduated from KW in 2001. She is a hairdresser In Minneapolis. Lindsey graduated from KW in 2003. She works for Carlton College in Northfield. Her husband Mike Feist is a beekeeper in Cannon City.

Grandkids: Milo just turned 1 on August 13, 2018.

Semi-retired: School teacher for 29 years, mostly 6th grade in Kenyon. Part time at the Kenyon Library since 2004.

Nominated: Teacher of the Year by Matt Ryan in 2012. I felt very honored.

Hobbies: Our cabin on Cass Lake, love to read, fish, ride bike, travel, get together with friends, and bell choir. I've also sang at weddings and funerals. And of course babysitting my grandson who lives 10 minutes away.

Memorable trips: Spain in 2011 with Anna Bauer and 16 juniors and seniors.

Favorite Hymn: What Wondrous Love is This (Oh My Soul)

Closing Thoughts: First Lutheran has been a big part of my life. When I was a kid it was an extension of our family. When I got married and moved back to Kenyon, it was a welcoming place to return. When we raised our daughters, its where they learned and became part of the church community. Its where I feel God's Love!

See you in church.

Lyn Cole Clarke

Sun	Mon	Tue	Wed	Thu	Fri	Sat
		<h1>September 2018</h1>				<p>1 <i>Kristin Boyum/ Bill Samuelson Wedding</i></p>
<p>2 <i>Installation of Intern Sara Martin</i> 9:00 Worship 10:00 Coffee</p>	<p>3 <i>Labor Day Offices Closed</i></p>	<p>4 9:30 Morning Circle Bible study 5:30 Worship/ Evangelism @ Gunderson Gardens 7:00 FLCW Board</p>	<p>5 6:00 Worship 6:30 Ed Youth Committee 7:00 Senior Choir</p>	<p>6</p>	<p>7</p>	<p>8 <i>Kyle Quaale/ Laura Toombs Wedding Off site</i></p>
<p>9 <i>Rally Sunday *Please note SS time change</i> 9:00 Worship 10:00 Sunday School 10:00 Coffee 10:15 Stewardship Committee 3:00 God's Work, Our Hands Blessing @ Holden Park</p>	<p>10 1:00 Literary Guild 5:30 Property & Management</p>	<p>11 1:00 Priscilla Club</p>	<p>12 6:00 Worship 6:30 Confirmation Orientation 7:00 Senior Choir</p>	<p>13 1:00 Christian Mission Society Love Day</p>	<p>14</p>	<p>15</p>
<p>16 <i>Pre-K & 3rd graders Bibles</i> 9:00 Worship 10:00 Sunday School 10:00 Coffee – Behnke's Missionaries to Japan will share their experience</p>	<p>17 <i>Newsletter Information Deadline</i></p>	<p>18</p>	<p>19 6:00 Worship 6:30 Confirmation 7:00 Senior Choir 8:00 Church Council</p>	<p>20</p>	<p>21 Wedding Rehearsal</p>	<p>22 <i>Cole Tousignant/ Carly Roberts Wedding</i></p>
<p>23 9:00 Worship 10:00 Sunday School 10:00 Coffee</p>	<p>24</p>	<p>25 1:00 Priscilla Club</p>	<p>26 6:00 Worship 6:30 Confirmation 7:00 Senior Choir</p>	<p>27 1:00 Christian Mission Society Love Day 6:00 Sons of Norway</p>	<p>28</p>	<p>29</p>
<p>30 9:00 Worship 10:00 Sunday School 10:00 Coffee 4:30 Wedding Dress Extravaganza</p>						

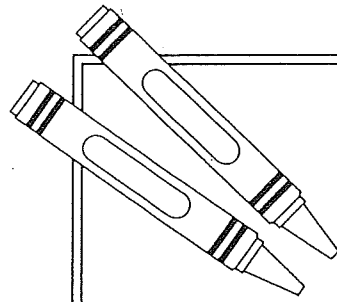
Make a follower footprint

You will need:

- shoebox
- coffee can
- foil
- plaster of Paris
- sand
- spoon
- water
- your foot

What to do:

1. Line the shoebox with aluminum foil.
2. Fill the box half full of sand.
3. Sprinkle some water into the sand until it holds together. Don't make it too wet!
4. Put your bare foot in the sand. Press it down to make a footprint.
5. Put plaster of Paris in the coffee can. Add water slowly to it while stirring. Make it like thin cream.
6. Pour the plaster into your footprint. Don't overflow it!
7. Let it dry for one week.
8. Take the plaster footprint out of the sand. Brush away the sand.
9. Use paint or markers to write a verse to remind you to follow Jesus!

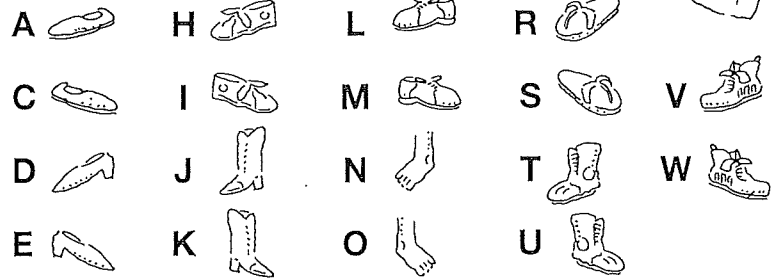


Just for KIDS

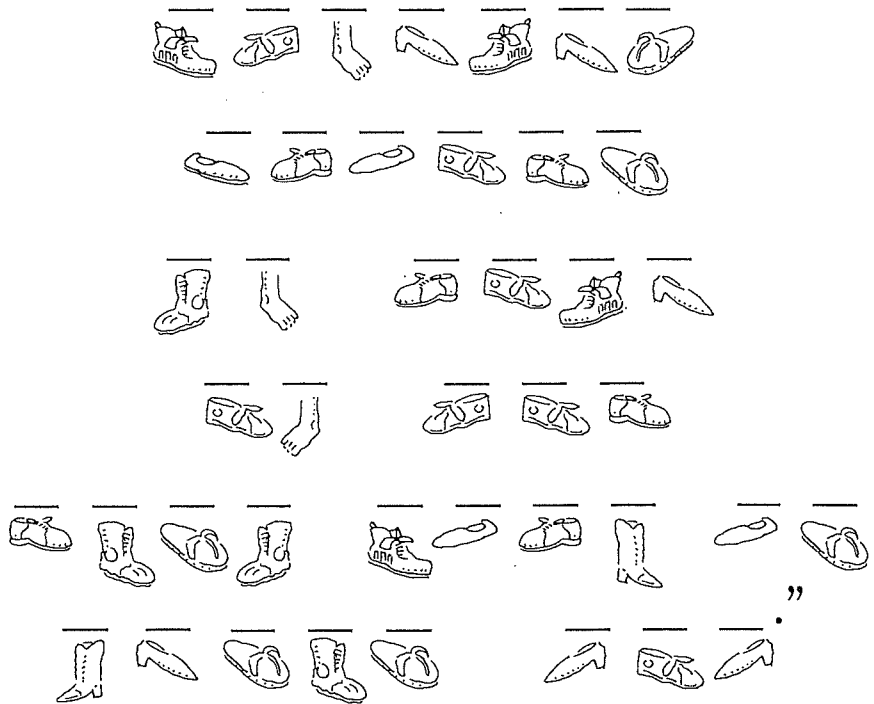
1 John 2:6

Find these important words written to Christians everywhere by John, disciple of Jesus.

Code:



“



”

“Whoever claims to live in Him must walk as Jesus did.”

The First Word

floffice@frontier.com
Web Site www.flckenyon.webs.com
First Evangelical Lutheran Church
309 Forest St.
Kenyon, MN 55946
(507)789-5261
*Change service requested

Presorted
Standard
U. S. Postage
PAID
Kenyon, MN
Permit No. 20

First Evangelical Lutheran Staff

Pastor	Julie Rogness
Intern	Timothy Bowman
Secretary	Debbie Eggert
Accountant	Julie Dyr Dahl
Custodians	Dave & Betty Redfield
Keyboardists	Annette Thunhorst, Tammy Hanson
Choir Director	Carol Lozon
Bell Choir Director	Tanya Short
Missionaries	Stephen Deal, Patrick & Jacqueline Bencke Karen Anderson

Mission Statement of First Evangelical Lutheran Church

“Through God we are creating a vibrant, welcoming faith community, embracing all, providing harmony among generations, while lending compassion locally and globally.”

Volunteers for August -Ushers

Gary Skundberg, chr.
Dean Schutte, chr.
Ed Fletcher
Richard Overby
David Rapp
Kevin Mallery
Paul Rechtzigel

Altar Care

Mary Danielson Gates
Sue Wold
Carmen Nesseth

Communion Set-up

Sept. 2: Wayne & Marie Spidah
Sept. 16: Linda Cordes
Sept. 30: Jan Ashland
Ruby Hagberg

Communion Helpers, Acolytes, Coffee Servers:

September 2:

Reader-Carol Lozon
Greeter-LeRoy & Jan Ashland
Com.- Don & Candy Herrlich, Carol Lozon
Coffee-LeRoy & Jan Ashland
Acolyte: Maddie Thompson, Logan Thompson

September 9:

Reader-Steve Johnson
Greeters-Steve & Trudy Johnson
Com.-Steve Johnson, John & Lois Estrem
Coffee-Les & Angie Eggert
Acolyte-Michael Pliscott, Sam Lee

September 16:

Reader-10th grade confirmation class
Greeters-10th gr. Confirmation class
Com-Larry & Kaia Lehman, Anne Gilster
Coffee-Ben & Phyllis Greseth
Acolyte-Tyler Haasnoot, Jonathan Kirchmann

September 23:

Reader- Bill Lewis

Greeters-Dan & Shari Quam
Com.-Dan & Shari Quam, Cindy Trapp
Coffee-Bill & Cindy Lewis
Acolyte-Tanner Angelstad, Luke Berg

September 30:

Reader-Tammy Fletcher
Greeter-Ed & Tammy Fletcher
Com.-Ed & Tammy Fletcher, Pat Schreiber
Coffee-Ed & Tammy Fletcher
Acolyte-Carrie Doehling, Katie Van Epps

Mark your Calendars

Rally Day Sunday –
September 9th

Sunday School starts *10-11am

Please note time change

Confirmation Orientation –
September 12th

Bible's for Pre-K and 3rd Grade –
September 16th

Fall Festival – October 14th

Confirmation – October 28th